



Datenblatt - Fiche technique - Data sheet

17.03.1163



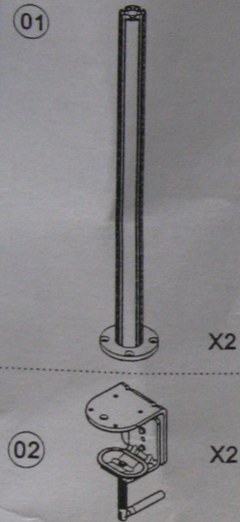
ROLINE LCD-Brücke für 1x3 56 cm-Monitore, Tischklemmmontage

ROLINE Pont LCD pour 1x3 écrans de 56 cm

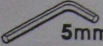
ROLINE LCD Bridge for 1x3 56 cm LCD Monitors, Desk Clamp

Check - list

Check List



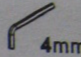
03  X2

04  5mm X2

05  X12

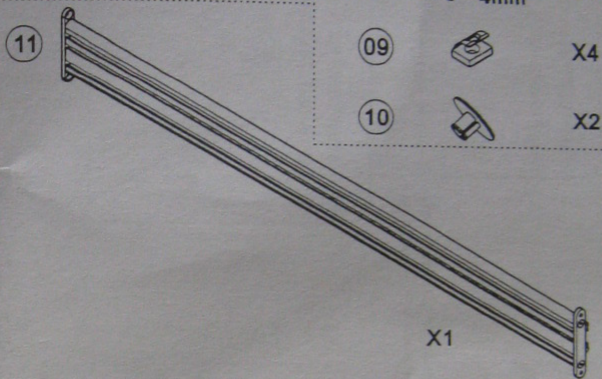
06  X2

07  X4

08  4mm X1

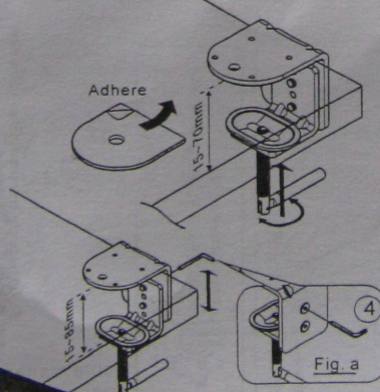
09  X4

10  X2



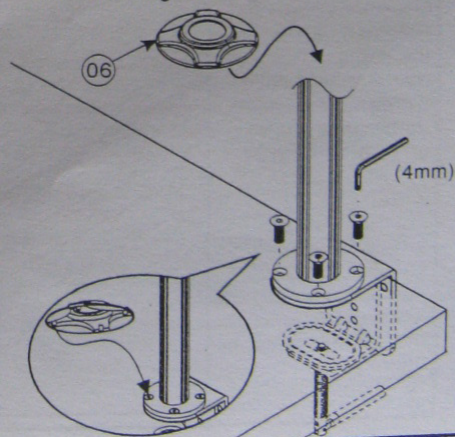
Step 1

Adhere the pad to the clamp base.
Desk thickness from 15mm~70mm.
Then fix the clamp on the desk. If desk
thickness over 70mm, please adjust
screws with 5mm allen key. (as figure a.)



Step 2

Use 4mm Allen key to secure the pole
and clamp with 4 screws.
Then put the plastic cover (06)
through the pole and check the pin position with
the screw together.



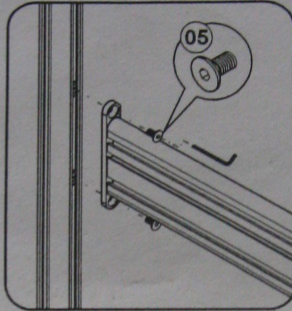
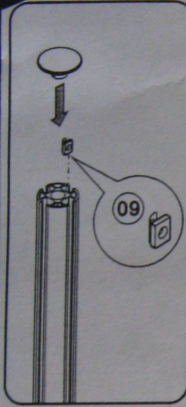
PA-101

2008.10.29

Assembly Guide

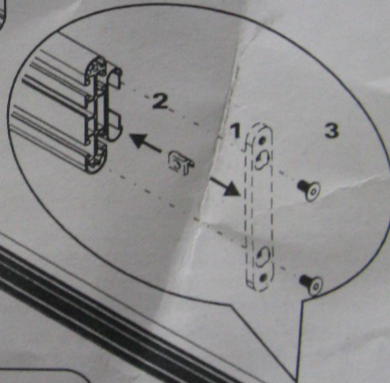
Step 3

Follow the pole groove to put the spring. Please note the correct direction to set up the spring as figure F. Then set up the plastic cover on the top when you finish.



Step 4

Take Partition to align the spring hole which already fixes on the pole. Then use 4mm Allen Key to secure the partition and pole together as figure.

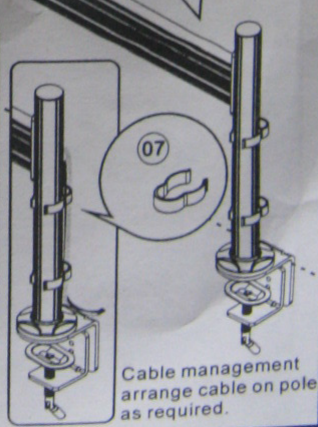
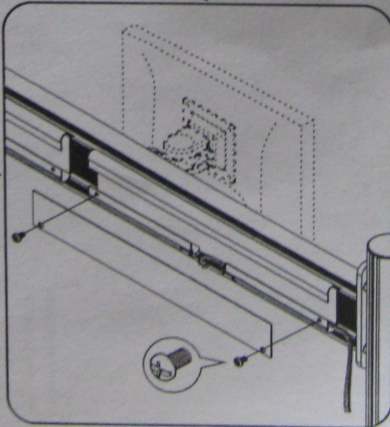


Step 5

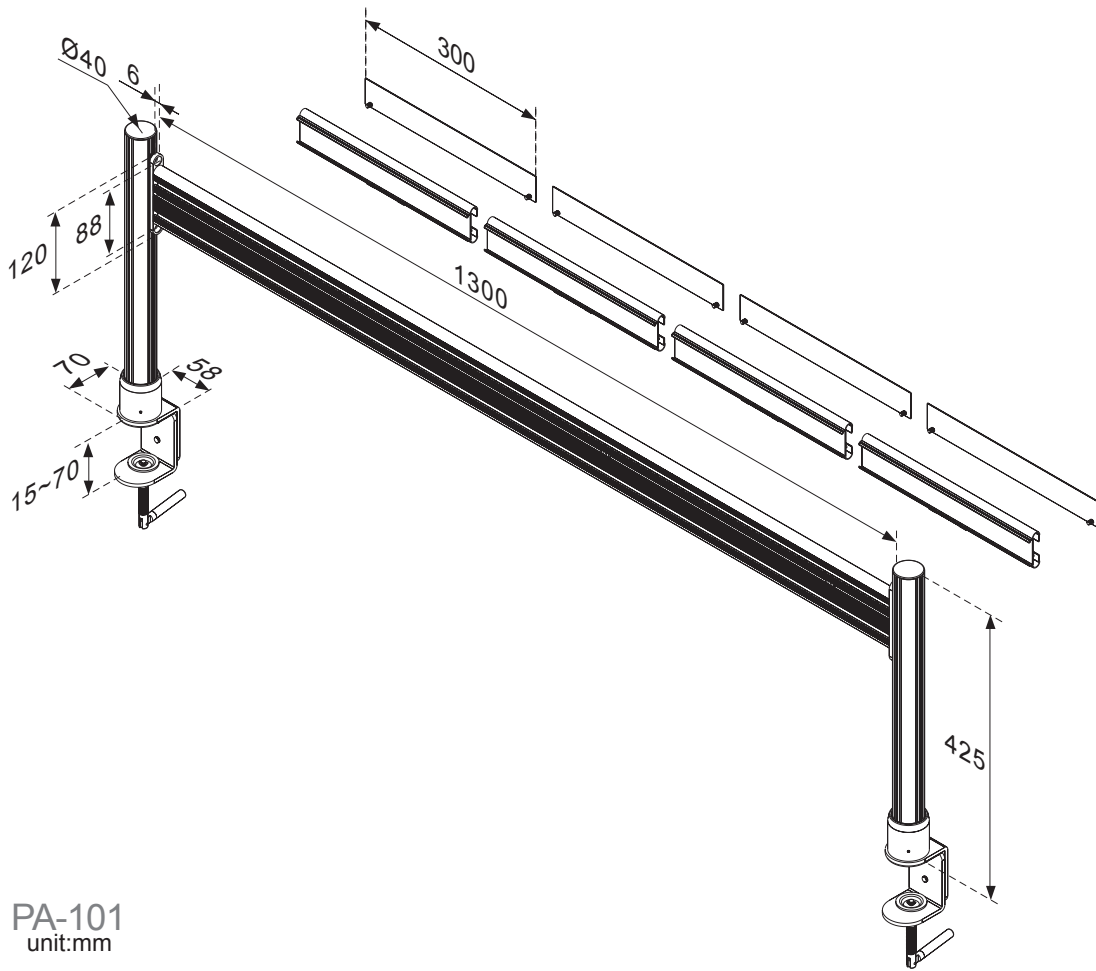
Please finish set up the cable management cover by few screws as figure after you set up LCD Monitor Arm.

Note:

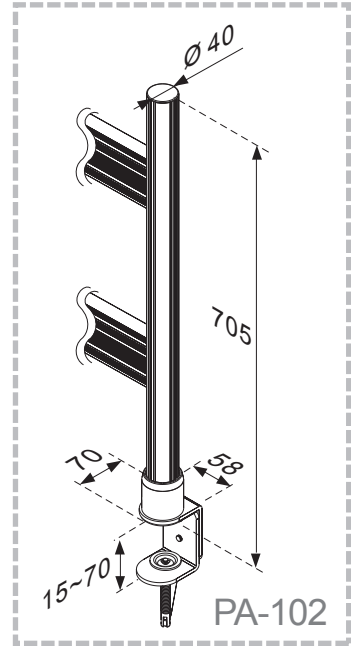
For safety and artistry, please secured the cable management covers also in case you don't need the cable management function.



Cable management arrange cable on pole as required.



PA-101
unit:mm



PA-102